

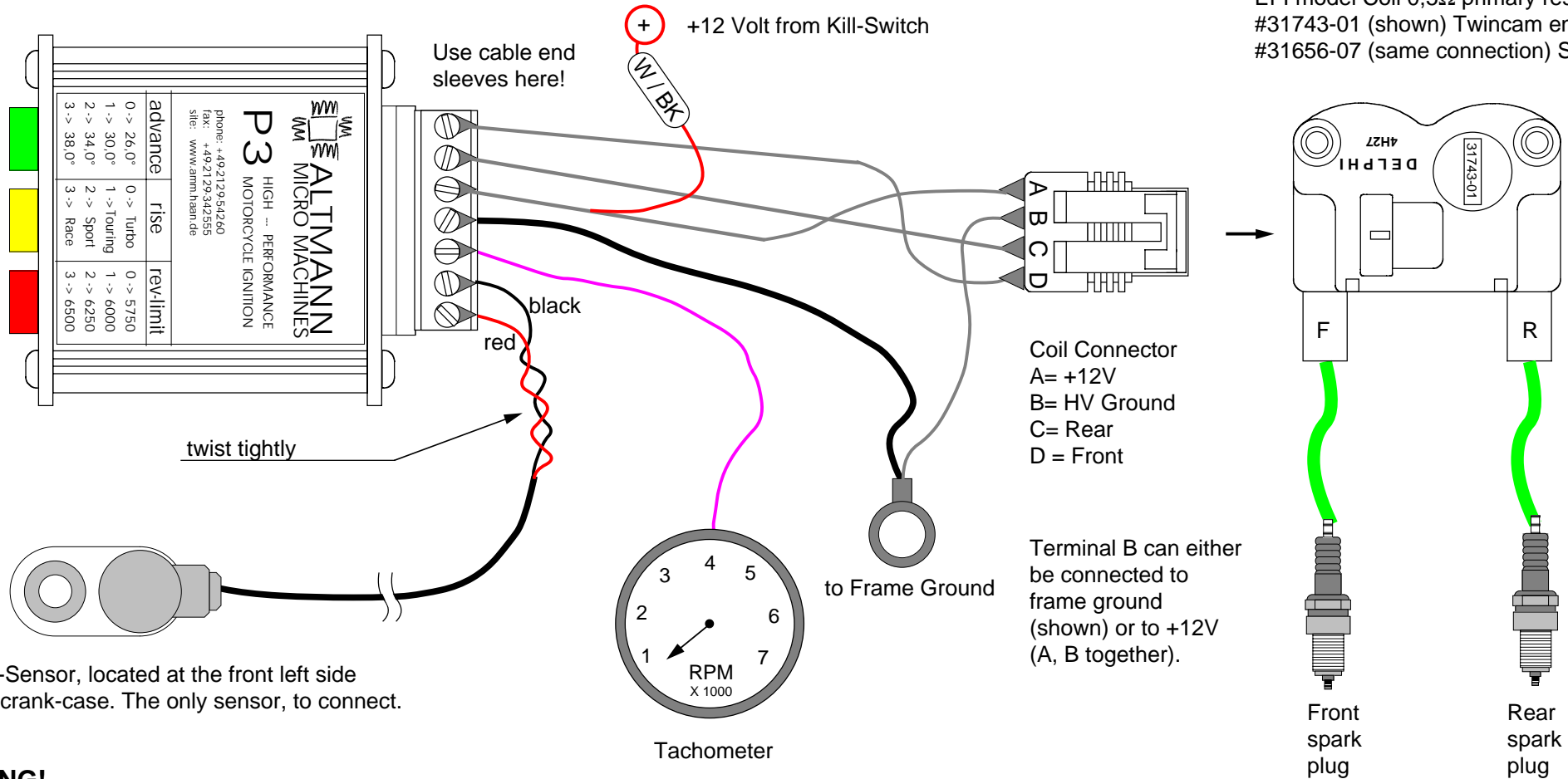
AMM - P3 IGNITION SYSTEM OVERVIEW EFI TO CARBURETOR UPGRADE

Connection Diagram for coils #31743-01 and #31656-07 (injected Twincam and Sportster engines)



DIPL.-ING. CHARLES ALTMANN
ERLENSTR. 15
42697 SOLINGEN • GERMANY
TEL FAX: +49(0) 212 - 233 - 7039

EFI model Coil 0,5Ω primary resistance
#31743-01 (shown) Twincam engines
#31656-07 (same connection) Sportster



WARNING!

Persons with heart diseases must not install or maintenance this ignition system!

Do not overtighten terminal screws. Please take care, that there are no short circuits between the cables.

During installation keep the ignition coil disconnected from the P3 ignition in order to prevent dangerous voltages. Never use this ignition system without ignition cables and spark-plugs properly connected! This diagram is for EFI coils #31743-01 and #31656-07. If you use a different ignition coil, please refer to the corresponding diagram.